

A SERIES CATALOG

Awning Components (stocked in Raleigh, NC location only)

Corporate Office

123 Oxmoor Road West • Birmingham, AL 35209
P.O. Box 59226 • Birmingham, AL 35259-9226
Telephone: 1/800/868-4100
Fax: (205) 945-4304

Mason-Columbia • 4B Sunbelt Court
Columbia, SC 29203

Telephone: 1/866/649-3009 • Fax: (803) 461-6072

Mason-Dallas • 2080 McDaniel, Suite 125
Carrollton, TX 75006

Telephone: 1/800/756-2766 • Fax: (972) 247-7656

Mason-Kansas City • 1912 East 19th Street
Kansas City, MO 64127

Telephone: 1/800/925-0291 • Fax: (816) 241-7314

Mason-Knoxville • 1487 Amherst Road, Suite B
Knoxville, TN 37909

Telephone: 1/800/961-6266 • Fax: (865) 687-3841

Mason-Little Rock • 700 North Palm
North Little Rock, AR 72114

Telephone: 1/800/611-5162 • Fax: (501) 955-2147

Mason-Raleigh • 1601 Lake Wheeler Road
Raleigh, NC 27603

Telephone: 1/800/476-2593 • Fax: (919) 836-1944

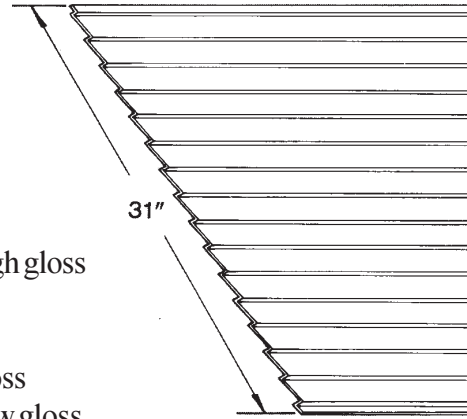


AWNING COMPONENTS - stocked in Raleigh, NC location only

STEPCDOWNAWNING SHEET

A131 .019" aluminum, 3/8" X2" with 30" net coverage

- | | | |
|---------|--------------------------|----------------------------|
| Colors: | Autumn Brown | Ivory |
| | Canyon Red | Ivy Green |
| | Clay | Mocha Tan |
| | Colonial Blue, low gloss | Polar White |
| | Colonial White | Raven Black |
| | Fern Green | Terra Cotta |
| | Gray | Vivid Cream |
| | Heron Blue | Wedgewood Blue, high gloss |
| | Hunter Red | Wicker |
| | Imperial Brown | Yellow |
| | | Hunter Green, low gloss |
| | | Wedgewood Blue, low gloss |



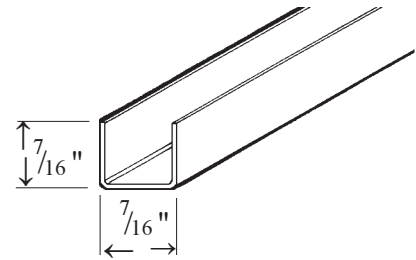
Standard Package:
 15 pcs. 12' length
 20' length available with minimum order of one full carton, white only
 10 pcs. 20' lengths, white only

CHANNEL

A217 White .024" roll formed aluminum, 7/16" x 7/16"

Standard Package: (500') 50 pcs. 10' length
 (1000') 50 pcs. 20' length

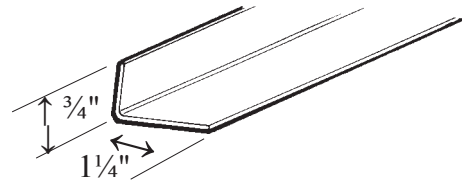
Use as sheet edging on end wings.



ANGLE

A233 White .040" roll formed aluminum, 3/4" x 1 1/4" x 90°

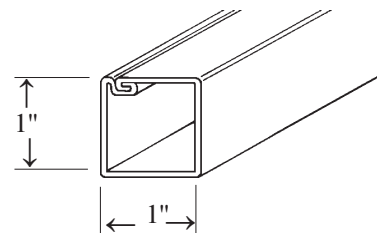
Standard Package: (1000') 50 pcs. 20' length
 (500') 50 pcs. 10' length



TUBING

A271 White .032" roll formed aluminum, 1" x 1" square

Standard Package: (840') 40 pcs. 21' length

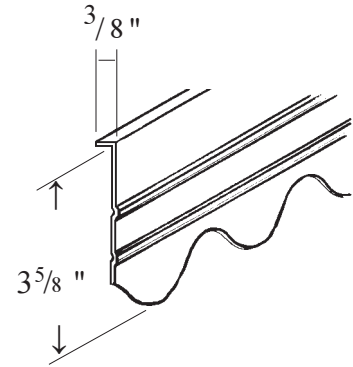


AWNING COMPONENTS - stocked in Raleigh, NC location only

FRINGE

A311 .024" roll formed aluminum,
3 5/8" wide with 3/8" screw flange

Colors:	Autumn Brown	Ivory
	Canyon Red	Ivy Green
	Clay	Mocha Tan
	Colonial Blue, low gloss	Polar White
	Colonial White	Raven Black
	Fern Green	Terra Cotta
	Gray	Vivid Cream
	Heron Blue	Wedgewood Blue, high gloss
	Hunter Green, low gloss	Wedgewood Blue, low gloss
	Hunter Red	Wicker
	Imperial Brown	Yellow



Standard Package: (300') 25 pcs. 12' length

SHEET METAL SCREW

A402	Mill Finish	#6 x 3/8" stainless steel
	White	#6 x 3/8" stainless steel



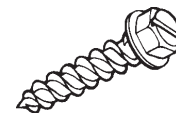
Type "A", #410, brite hardened, indented, unslotted
1/4" hex washer head.

Standard Package: Minimum 100 per bag, 1,000 per box or
5,000 per box

Use T314A chuck.

INSTALLATION SCREW

A409	Mill Finish	#12 x 1 1/2" zinc plated steel
A410	Mill Finish	#12 x 2" zinc plated steel
A411	Mill Finish	#12 x 1" zinc plated steel



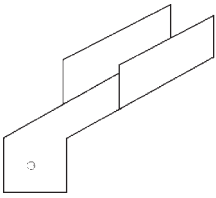
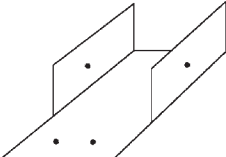
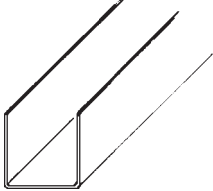
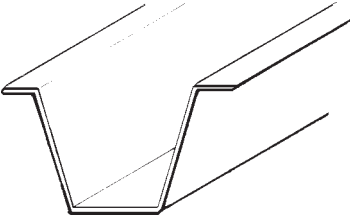
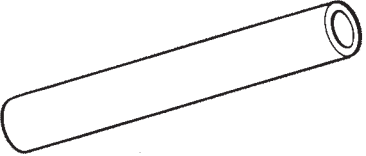
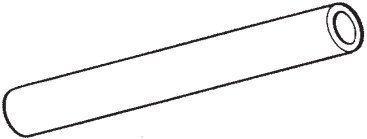
Slotted, indented, 5/16" hex washer head, Type "A".

Standard Package : Minimum 100 per bag, 1,000 per box or 5,000 per box

Use T313A chuck.

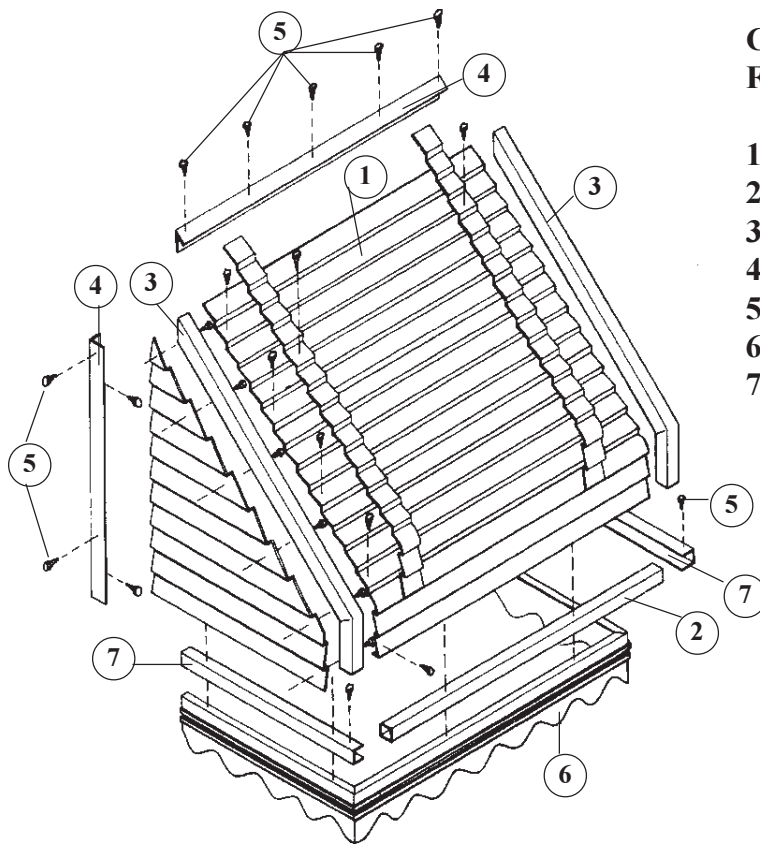


AWNING COMPONENTS - stocked in Raleigh, NC location only

<p>END TAB</p> <p>A500 MillFinish</p> <p>Use to attach 1" square tubing to awning frame. Standard Package: As required</p>	
<p>BRACE TIE</p> <p>A501 White</p> <p>Use to attach 1" square tubing to awning frame. Standard Package: As required</p>	
<p>CHANNEL, 1" X 1"</p> <p>H201 .030 roll formed aluminum</p> <p>Standard Package: (400') 25 pieces Stock Lengths: 16'</p>	
<p>HAT SECTION</p> <p>A243 White .040 roll formed aluminum</p> <p>Stock Lengths: 20'</p>	
<p>TUBING</p> <p>A260 MillFinish Extruded alloy TA5102 1" round tubing</p> <p>Stock Lengths: 12'</p>	
<p>TUBING</p> <p>A261 MillFinish Extruded alloy TA5090 7/8" round tubing</p> <p>Stock Lengths: 12'</p>	



AWNING COMPONENTS - stocked in Raleigh, NC location only



COMPONENTS REQUIRED FOR AWNING CONSTRUCTION

- 1. Awning Sheet - A131
- 2. 1" Tubing - A271
- 3. Channel Edging - A217
- 4. Angle, Hanging - A233
- 5. Screws - A402
- 6. Fringe - A311
- 7. Channel - H201

